



Up-to-date Questions and Answers from authentic resources to improve knowledge and pass the exam at very first attempt. ---- Guaranteed.



ACMP MCQs
ACMP TestPrep
ACMP Study Guide
ACMP Practice Test
ACMP Exam Questions



killexams.com

Aruba

ACMP

Aruba Certified Mobility Professional (2025)

ORDER FULL VERSION

<https://killexams.com/pass4sure/exam-detail/ACMP>



Answer: C, D

QUESTION: 159

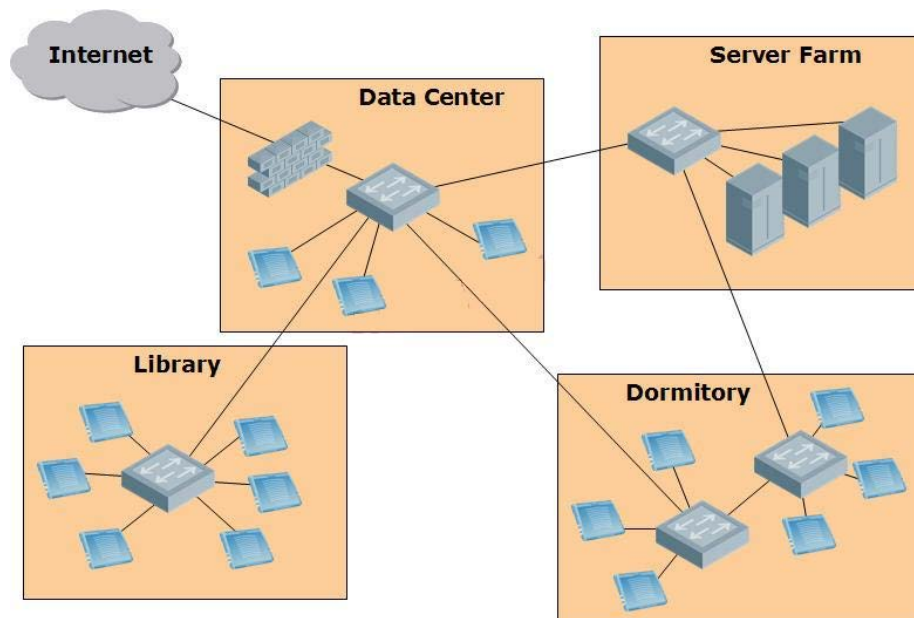
An Aruba controller is configured with the correct IP address and gateway information and is connected to the corporate LAN via a core layer 2 switch. An access point is provisioned with AP name and group and connected to a different switch on the corporate LAN that has IP connectivity to the core layer 2 switch. The AP powers on and connects to the LAN, but the wireless radios do not power on. Which could cause this condition? (Choose all of the correct answers.)

- A. the layer 2 switches have ACLs that block GRE traffic
- B. the layer 2 switches are configured to block multicast traffic
- C. a DHCP server is not configured for the segment to which the AP is connected
- D. the AP name needs to be configured on the Aruba controller

Answer: A, B, C

QUESTION: 160

In the diagram provided for this question, four buildings are identified on a college campus.



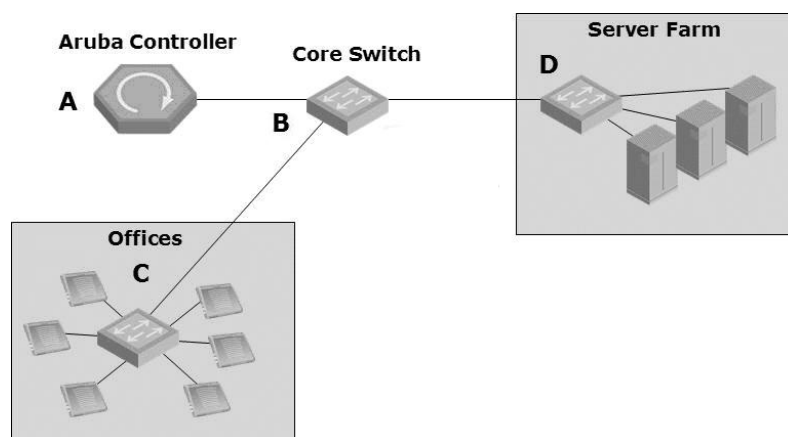
Most of the wireless LAN traffic will be from students accessing the internet. According to Aruba best practices, which building is the best location to install the Aruba mobility controller?

- A. data center
- B. dormitory
- C. server farm
- D. library

Answer: A

QUESTION: 161

Referring to the diagram provided for this question, representing an office wireless LAN deployment, there will be approximately 250 users in the offices section of the building.



According to Aruba best practice, which network device is the best choice for the wireless clients' default gateway?

- A. device 'A'
- B. device 'B'
- C. device 'C'
- D. device 'D'

Answer: B

QUESTION: 162

One hundred (100) additional APs were deployed in an existing network. But some APs are not able to connect to the lms-ip address, even though all of the APs belong to the same AP group. What might be wrong? Choose all possibilities.

- A. The AP isn't getting an IP address.
- B. The AP has the wrong lms-ip address setting.
- C. There is a firewall between some APs and the controller blocking PAPI.
- D. The controller does not support that many APs in a single AP-Group.
- E. The controller does not have enough AP licenses to support the additional quantity of APs.

Answer: A, C, E

QUESTION: 163

If a Remote AP (RAP) is attempting to contact a controller that is behind a NAT device what protocol must be allowed through the NAT/Firewall?

- A. PAPI
- B. NATT
- C. IPSec
- D. The controller must have a public IP address.

Answer: B

QUESTION: 164

Which of the following are valid RAP forwarding modes (select all that apply)?

- A. Tunnel
- B. Bridge
- C. Split-Tunnel
- D. Backup

Answer: A, B, C

QUESTION: 165

Which of the following are valid RAP operating modes?

- A. Always, Backup, Standard, Persistent
- B. Always, Backup, Tunnel, Persistent
- C. Always, Hotel-Connect, Tunnel, Standard
- D. Backup, Hotel-Connect, Standard, Persistent

Answer: A

QUESTION: 166

When configuring split tunnel mode on a Remote AP (RAP) where is the routing function for the split tunnel defined?

- A. On the IP routing tab in the configuration screen.
- B. On the AP provisioning screen.
- C. The RAP uses OSPF for routing.
- D. In the Firewall policy.

Answer: D

QUESTION: 167

When does a backup SSID configured on a Remote AP (RAP) begin broadcasting?

- A. When the GRE tunnel to the controller is established.
- B. When the IPSec tunnel to the controller is established.
- C. When the controller cannot be reached.
- D. When bridging is required for guest users.

Answer: C

QUESTION: 168

A Remote AP provisioned in “Split-Tunnel” Forwarding mode has which of the following characteristics? Choose all that apply.

- A. Local traffic first goes to the controller and is then spilt back to the local network.

- B. Traffic is IPSec encrypted before it is sent to the controller.
- C. The user role must have a “Permit” statement in order to locally bridge the traffic.
- D. The user role must have a “route src-nat” statement to locally bridge the traffic.
- E. The RAP uses UDP 4500 to send traffic to the controller.

Answer: B, D, E

QUESTION: 169

A Remote AP provisioned with an SSID in the operational mode “always” has which one of the following characteristics?

- A. The RAP must obtain its configuration from the controller each time it boots.
- B. The operational mode applies to tunnel and split-tunnel forwarding SSID.
- C. The operational mode applies to a Bridge forwarding SSID.
- D. The RAP does not support this mode.
- E. The SSID only appears if the AP does not see the controller.

Answer: C

QUESTION: 170

A Remote AP provisioned with an SSID in “Bridged” forwarding mode has which one of the following characteristics?

- A. The client obtains its IP address from the controller.
- B. The client's default gateway must be the controller.
- C. The client traffic is forwarded through a GRE tunnel to the controller.
- D. The client's default gateway may be the Access Point or a local gateway.
- E. The client's authentication must be 802.1X.

Answer: D

QUESTION: 171

An Aruba RAP2 model can authenticate its IPSec tunnel to a controller using which of the following methods? Choose all that apply.

- A. 802.1X

- B. Captive Portal
- C. IP address authentication
- D. Legacy Username/Password authentication.
- E. Certificate and MAC address authentication.

Answer: D, E

QUESTION: 172

What is the purpose of Mesh Clusters?

- A. To separate Mesh points and Mesh Portals
- B. To make sure that mesh points and portals with the same VAPs are not in the same cluster
- C. To create a group of mesh points and mesh portals that create mesh links with each other using the same 802.11 connection settings
- D. To cluster mesh APs of the same model together

Answer: C

QUESTION: 173

A company purchased an indoor mesh deployment using the 620 controller and the AP 125 models, where 5 APs will be deployed on a floor to provide wireless internet access for users. Users may open VPN tunnels using software clients over the wireless network to a 3rd party VPN concentrator overseas. The company wants to limit wireless user access to NetBIOS over TCP traffic locally and VPN traffic overseas. Which licenses will be necessary for this deployment?

- A. Base AOS, VPN, PEF-NG
- B. Base AOS, AP Capacity, PEF-NG
- C. Base AOS, AP Capacity, PEF-NG, VPN
- D. Base AOS, AP Capacity

Answer: B

QUESTION: 174

When deploying Remote Mesh Portals, what is one of the purposes of the Mesh Private VLAN?

- A. To separate wireless user traffic coming from mesh networks from non-mesh networks
- B. To tag mesh wireless user traffic on a particular AP
- C. To allow Mesh Points to form private vlan networks with certain users
- D. To tag control plane traffic from Mesh points to the controller

Answer: D

QUESTION: 175

A network administrator runs a 'show ap mesh topology' command on an Aruba 620 controller. Which of the following information would he be able to obtain? Choose all that apply.

- A. The number of mesh nodes in the network
- B. The channel settings of each mesh node
- C. The parent of each mesh node
- D. The number of hops each mesh points has to make to reach the mesh portal

Answer: A, C, D

QUESTION: 176

How does Aruba's infrastructure calculate location?

- A. GPS
- B. RF Fingerprinting
- C. RSSI triangulation
- D. TDOA

Answer: C

QUESTION: 177

You want to locate a wireless device on the controller GUI. You go to the Clients list from the Monitoring tab and click the Locate button but the controller is unable to locate the client. Which could be the possible reasons for the error? (Choose all of the correct answers.)

- A. No floor plan exists
- B. Only 2 APs can hear the client
- C. The client is not a valid client
- D. No client was selected

Answer: A, B, D

QUESTION: 178

Which of the following needs to be done prior to attempting to use the GUI quick setup of a factory defaulted Aruba S3500 Mobility Access Switch?

- A. Set the S3500 IP address to the 172.16.0.0 range
- B. Quick-Setup needs to be enabled on the LCD Panel
- C. Connect the S3500 to the network for DHCP
- D. Set the laptop IP address to the 192.168.0.0 range

Answer: B

QUESTION: 179

Which two factors are important when choosing a controller model to support tunneled node?

- A. Number of Wired Aps
- B. Controller configuration
- C. Number of Tunneled Ports
- D. Layer 3 network architecture

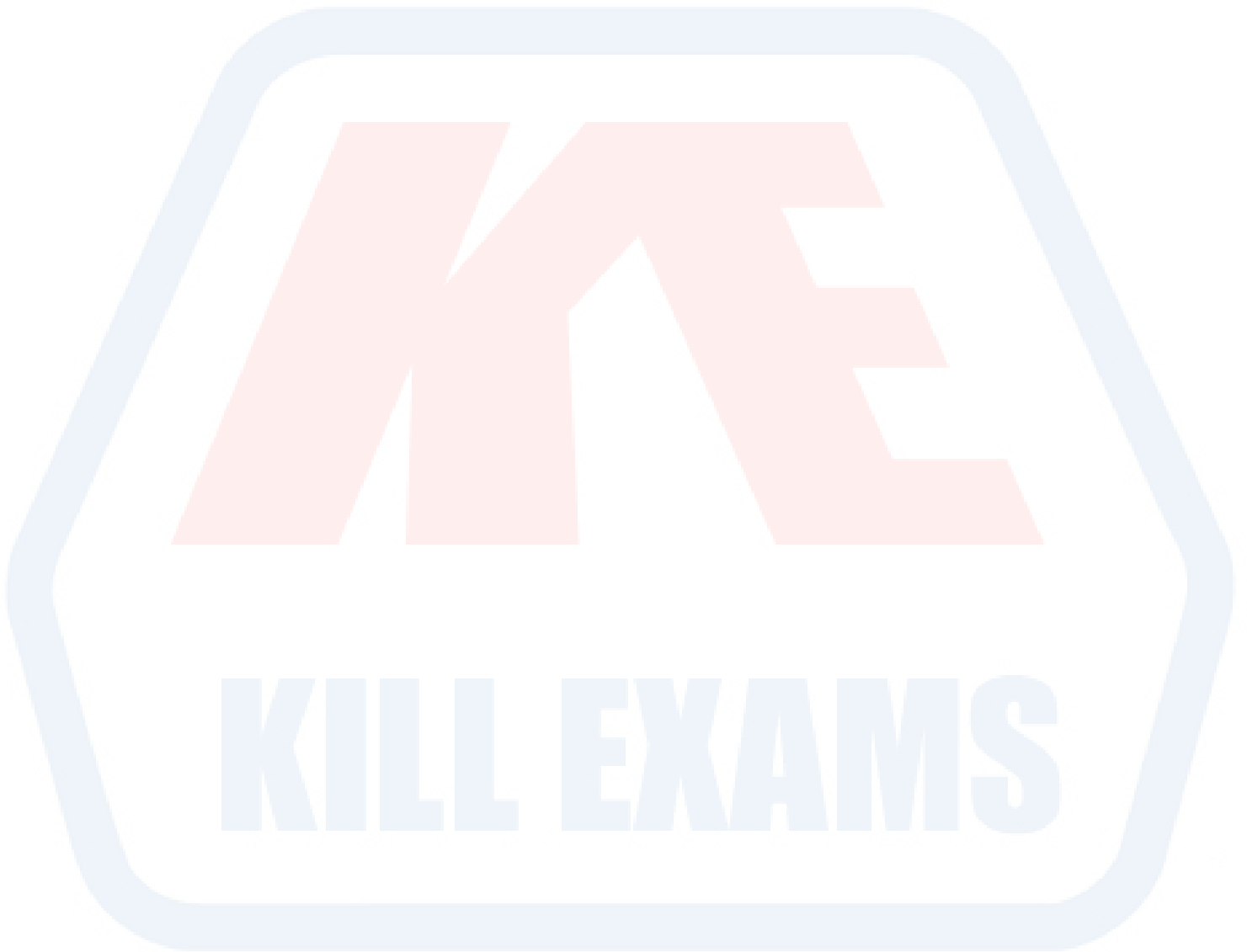
Answer: A, C

QUESTION: 180

In tunneled node configuration the Aruba 3500 mobility access switch acts as a?

- A. Authentication server
- B. Security gateway
- C. Wired to Wireless AP
- D. Wired AP

Answer: D



KILLEXAMS.COM

Killexams.com is a leading online platform specializing in high-quality certification exam preparation. Offering a robust suite of tools, including MCQs, practice tests, and advanced test engines, Killexams.com empowers candidates to excel in their certification exams. Discover the key features that make Killexams.com the go-to choice for exam success.



Exam Questions:

Killexams.com provides exam questions that are experienced in test centers. These questions are updated regularly to ensure they are up-to-date and relevant to the latest exam syllabus. By studying these questions, candidates can familiarize themselves with the content and format of the real exam.

Exam MCQs:

Killexams.com offers exam MCQs in PDF format. These questions contain a comprehensive collection of questions and answers that cover the exam topics. By using these MCQs, candidate can enhance their knowledge and improve their chances of success in the certification exam.

Practice Test:

Killexams.com provides practice test through their desktop test engine and online test engine. These practice tests simulate the real exam environment and help candidates assess their readiness for the actual exam. The practice test cover a wide range of questions and enable candidates to identify their strengths and weaknesses.

Guaranteed Success:

Killexams.com offers a success guarantee with the exam MCQs. Killexams claim that by using this materials, candidates will pass their exams on the first attempt or they will get refund for the purchase price. This guarantee provides assurance and confidence to individuals preparing for certification exam.

Updated Contents:

Killexams.com regularly updates its question bank of MCQs to ensure that they are current and reflect the latest changes in the exam syllabus. This helps candidates stay up-to-date with the exam content and increases their chances of success.