



Up-to-date Questions and Answers from authentic resources to improve knowledge and pass the exam at very first attempt. ---- Guaranteed.



*PB0-200 MCQs
PB0-200 TestPrep
PB0-200 Study Guide
PB0-200 Practice Test
PB0-200 Exam Questions*



APC

PB0-200

APC NCPI Design



QUESTION: 106

Click the Exhibit button.

MISSING EXHIBIT

Which UPS topology is shown in the exhibit?

- A. standby
- B. line interactive
- C. standby online hybrid
- D. online double conversion

Answer: D

QUESTION: 107

What physical property of all electrical equipment dictates the amount of cooling it will require?

- A. size of printed circuit boards
- B. weight of electronic components
- C. location of components inside equipment
- D. inefficiency of power and digital components

Answer: D

QUESTION: 108

What is current?

- A. the flow of electrons through a conductor
- B. the potential difference between two points
- C. the capability of a conductor to store a charge
- D. the amount of voltage flowing through a conductor

Answer: A

QUESTION: 109

Click the Calculator button.

MISSING EXHIBIT

Approximately how much cooling capacity does a 5-ton air conditioner have?

- A. 12kW
- B. 17kW
- C. 20kW
- D. 60kW

Answer: B

QUESTION: 110
What is TVSS?

- A. Transient Voltage Static Switch
- B. Terminal Voltage Surge Suppression
- C. Transient Voltage Surge Suppression
- D. Transient Variable Surge Suppression

Answer: C

QUESTION: 111

If a rack-mount PDU is accidentally overloaded, which device activates and isolates the electric power to the outlets?

- A. TVSS
- B. transformer
- C. circuit breaker
- D. Automatic Transfer Switch

Answer: C

QUESTION: 112

Which type of air conditioning system generally has the lowest initial cost for the entire system?

- A. air cooled
- B. chilled water
- C. water cooled
- D. glycol cooled

Answer: A

QUESTION: 113

What is one advantage of using precision cooling rather than comfort cooling?

- A. No humidity control is required.
- B. Reheat is available to increase humidity.
- C. Temperature control is within +/- 0.5 degree Celsius (+/- 1 degree Fahrenheit).
- D. Temperature control is within +/- 3 degrees Celsius (+/- 5 degrees Fahrenheit).

Answer: C

QUESTION: 114

What is the correct formula to calculate Apparent Power (VA)?

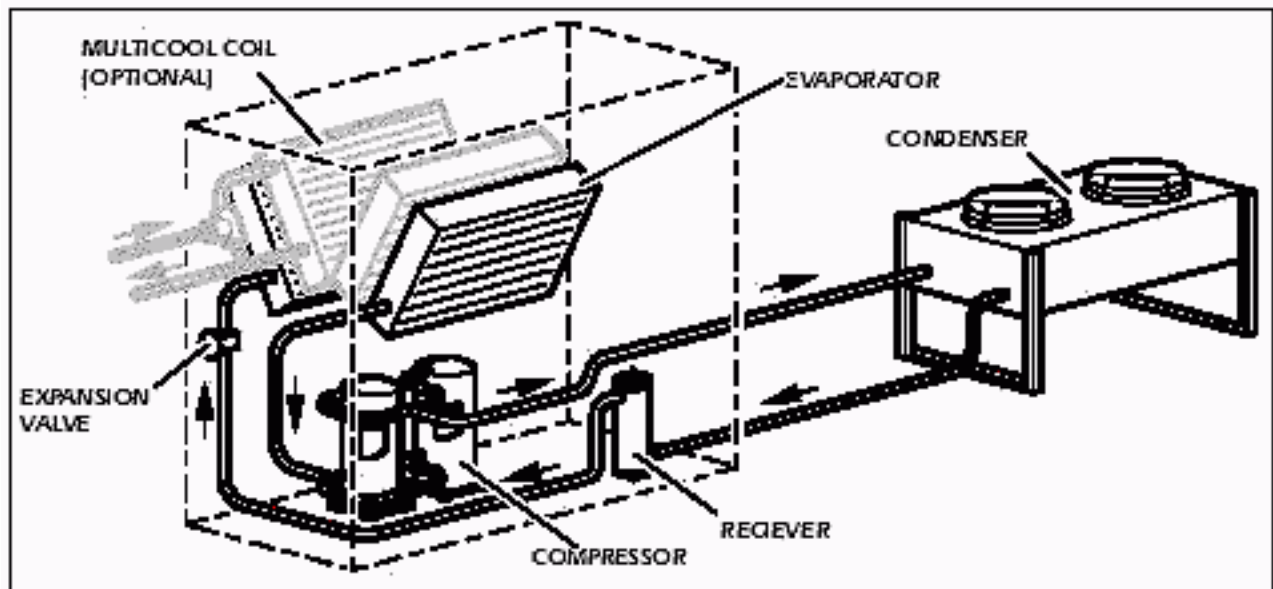
- A. Power (Apparent) = Voltage x Current
- B. Power (Apparent) = Current x Resistance
- C. Power (Apparent) = Voltage x Resistance
- D. Power (Apparent) = Voltage x Capacitance

Answer: A

QUESTION: 115

Click the Exhibit button.

What type of system is shown?



- A. air cooled
- B. water cooled
- C. glycol cooled
- D. remote condensing

Answer: A

Killexams.com is a leading online platform specializing in high-quality certification exam preparation. Offering a robust suite of tools, including MCQs, practice tests, and advanced test engines, Killexams.com empowers candidates to excel in their certification exams. Discover the key features that make Killexams.com the go-to choice for exam success.



Exam Questions:

Killexams.com provides exam questions that are experienced in test centers. These questions are updated regularly to ensure they are up-to-date and relevant to the latest exam syllabus. By studying these questions, candidates can familiarize themselves with the content and format of the real exam.

Exam MCQs:

Killexams.com offers exam MCQs in PDF format. These questions contain a comprehensive collection of questions and answers that cover the exam topics. By using these MCQs, candidate can enhance their knowledge and improve their chances of success in the certification exam.

Practice Test:

Killexams.com provides practice test through their desktop test engine and online test engine. These practice tests simulate the real exam environment and help candidates assess their readiness for the actual exam. The practice test cover a wide range of questions and enable candidates to identify their strengths and weaknesses.

Guaranteed Success:

Killexams.com offers a success guarantee with the exam MCQs. Killexams claim that by using this materials, candidates will pass their exams on the first attempt or they will get refund for the purchase price. This guarantee provides assurance and confidence to individuals preparing for certification exam.

Updated Contents:

Killexams.com regularly updates its question bank of MCQs to ensure that they are current and reflect the latest changes in the exam syllabus. This helps candidates stay up-to-date with the exam content and increases their chances of success.