



Up-to-date Questions and Answers from authentic resources to improve knowledge and pass the exam at very first attempt. ---- Guaranteed.



CLAD Dumps
CLAD Braindumps
CLAD Real Questions
CLAD Practice Test
CLAD Actual Questions



killexams.com

NI

CLAD

Certified LabVIEW Associate Developer (CLAD)

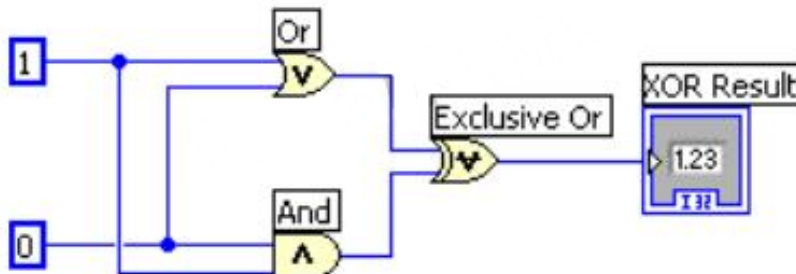
ORDER FULL VERSION

<https://killexams.com/pass4sure/exam-detail/CLAD>



QUESTION: 73

What is the value in XOR Result after the following code has executed?



- A. 0
- B. 1
- C. True
- D. False

Answer: B

QUESTION: 74

Which of the following statements regarding the index of Arrays are NOT true?

- A. The index is used to access a particular element of an Array.
- B. The index ranges from 1 to n.
- C. A 2-D Array has both a column index and a row index.
- D. The index ranges from 0 to n-1.

Answer: B

QUESTION: 75

Clusters provide a user with which of the following benefits?

- A. Clusters allow a logical grouping of related data elements.
- B. Clusters increase the number of Connector Pane terminals of SubVI's.
- C. Clusters help to reduce wire clutter on the Block Diagram.
- D. Both A. and C.

Answer: D

QUESTION: 76

Which chart update mode plots new data from left to right, then clears the chart and plots the newer data?

- A. Strip Chart
- B. Scope Chart
- C. Sweep Chart
- D. Step Chart

Answer: B

QUESTION: 77

Which of the following methods will create an XY Graph with two plots?

- A. Create a single cluster from two arrays of X values and two arrays of Y values in an X, Y,
- B. X, Y pattern.
- C. Bundle the X and Y array pairs together into two clusters and then create an array of these two clusters.
- D. Bundle the X and Y array pairs together into two clusters and create a cluster of these two clusters.
- E. Create a single array of each of the X arrays and Y arrays in an X, Y, X, Y pattern.

Answer: B

QUESTION: 78

Which of the following terminals controls how many times a For Loop will execute?

A. 

B. 

C. 

D. 

- A. Option A
- B. Option B
- C. Option C
- D. Option D

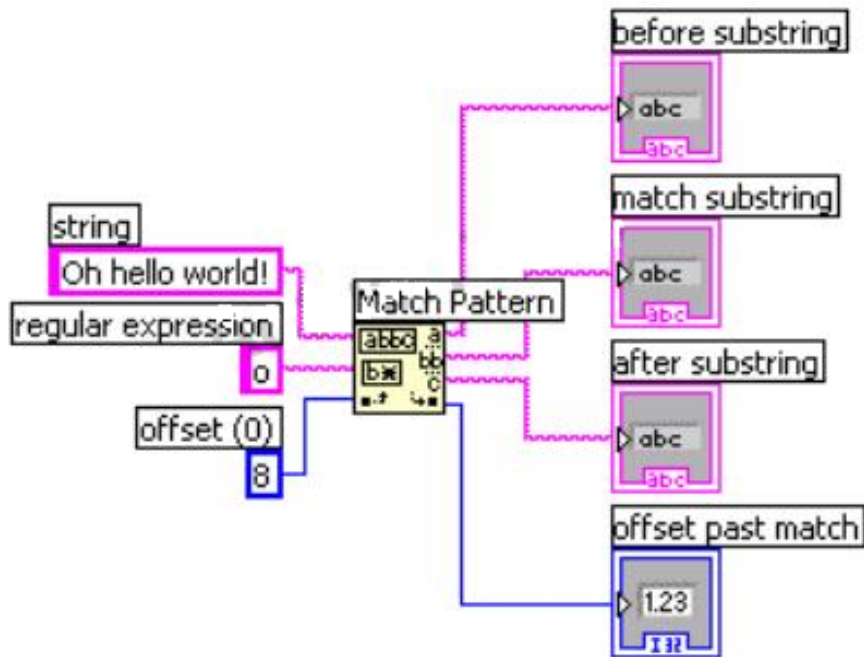
Answer: D

QUESTION: 79

What is the value in after substring upon completion of the following code?

KILL EXAMS

KILLEXAMS.COM



- A. world!
- B. rld!
- C. h hello world!
- D. <blank>

Answer: B

QUESTION: 80

Which of the following cannot be used to transfer data?

- A. Local variables
- B. Queues
- C. Semaphores
- D. Notifiers

Answer: C

SAMPLE QUESTIONS



*These questions are for demo purpose only. **Full version** is up to date and contains actual questions and answers.*

Killexams.com is an online platform that offers a wide range of services related to certification exam preparation. The platform provides actual questions, exam dumps, and practice tests to help individuals prepare for various certification exams with confidence. Here are some key features and services offered by Killexams.com:



Actual Exam Questions: *Killexams.com provides actual exam questions that are experienced in test centers. These questions are updated regularly to ensure they are up-to-date and relevant to the latest exam syllabus. By studying these actual questions, candidates can familiarize themselves with the content and format of the real exam.*

Exam Dumps: *Killexams.com offers exam dumps in PDF format. These dumps contain a comprehensive collection of questions and answers that cover the exam topics. By using these dumps, candidates can enhance their knowledge and improve their chances of success in the certification exam.*

Practice Tests: *Killexams.com provides practice tests through their desktop VCE exam simulator and online test engine. These practice tests simulate the real exam environment and help candidates assess their readiness for the actual exam. The practice tests cover a wide range of questions and enable candidates to identify their strengths and weaknesses.*

Guaranteed Success: *Killexams.com offers a success guarantee with their exam dumps. They claim that by using their materials, candidates will pass their exams on the first attempt or they will refund the purchase price. This guarantee provides assurance and confidence to individuals preparing for certification exams.*

Updated Content: *Killexams.com regularly updates its question bank and exam dumps to ensure that they are current and reflect the latest changes in the exam syllabus. This helps candidates stay up-to-date with the exam content and increases their chances of success.*

Technical Support: *Killexams.com provides free 24x7 technical support to assist candidates with any queries or issues they may encounter while using their services. Their certified experts are available to provide guidance and help candidates throughout their exam preparation journey.*

For More exams visit <https://killexams.com/vendors-exam-list>
Kill your exam at First Attempt....Guaranteed!