



Up-to-date Questions and Answers from authentic resources to improve knowledge and pass the exam at very first attempt. ---- Guaranteed.



DES-5121 Dumps  
DES-5121 Braindumps  
DES-5121 Real Questions  
DES-5121 Practice Test  
DES-5121 Actual Questions



[killexams.com](http://killexams.com)

**DELL-EMC**

**DES-5121**

*Specialist - Implementation Engineer, Campus Networking*

ORDER FULL VERSION

<https://killexams.com/pass4sure/exam-detail/DES-5121>



**QUESTION 57** If VoIP traffic uses multiple QoS prioritization schemes, what refers to VoIP traffic?

- A. COS 2, DSCP 22, AF B.
- COS 2, DSCP 46, EF C.
- COS 5, DSCP 42, AF
- D. COS 5, DSCP 46, EF

**Correct Answer:** D

**QUESTION 58** In order to alter a packet's routing direction, which packet layers can policy-based routing use?

- A. Transport, Network, Link Layer, and Physical
- B. Link Layer, Physical, Presentation, and Session
- C. Network, Link Layer, Physical, and Session
- D. Application, Transport, Network, and Link Layer

**Correct Answer:** A

**QUESTION 59** A network administrator wants to configure an ACL to deny traffic for a specific source IP and source UDP port.

Which type of ACL should be used?

- A. Layer 2 Standard ACL
- B. Layer 2 Extended ACL
- C. Layer 3 Standard ACL
- D. Layer 3 Extended ACL

**Correct Answer:** D

**QUESTION 60** How does the weighted Queue Scheduler prioritize packets?

- A. Scheduler prioritizes weighted queues over any strict queues
- B. Weights are calculated based on the number of packets
- C. Weights are used to calculate the number of bytes
- D. Weight is assigned to each port

**Correct Answer:** C

/R            eference:

Reference: <https://infohub.delltechnologies.com/static/media/6582046d-70f0-4ab6-ba72-2c0b9cf26649.pdf> page 6

**QUESTION 61** Which packet characteristics can policy-based routing be configured to match against?

- A. TTL, TCP Port, and L3 Packet Length
- B. L3 Packet Length, TTL, and 802.1p Priority
- C. TCP Port, L3 Packet Length, and 802.1p Priority
- D. TCP Port, TTL, and 802.1p Priority

**Correct Answer: C**

**QUESTION 62** Which spanning tree feature will prevent unnecessary timeouts from DHCP servers?

- A. PortFast
- B. Loop Guard
- C. BPDU Flooding
- D. Root Guard

**Correct Answer: A**

Reference: <https://www.dell.com/community/Networking-General/Advice-on-basic-STP-and-network-design/td-p/4434346>

**QUESTION 63** Refer to the Exhibit.

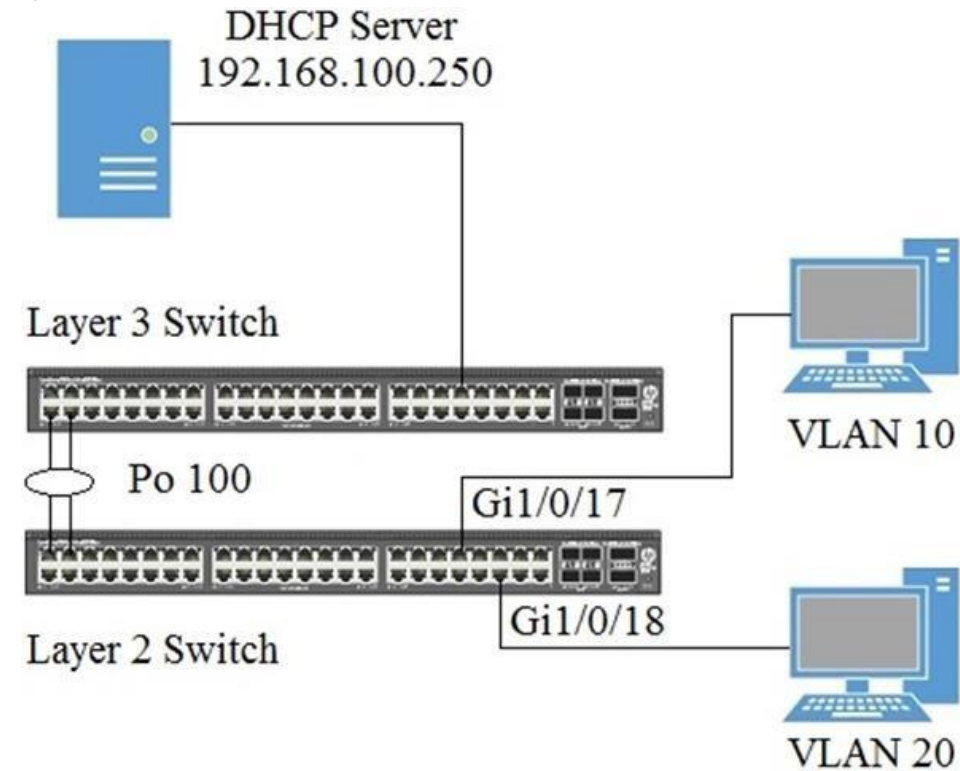
```
Switch-1(config)# radius server host 10.1.1.111
Switch-1(config-radius)# key "secretkey"
Switch-1(config-radius)# exit
Switch-1(config)# aaa authentication login "LOCAL-AUTH" local
Switch-1(config)# aaa authentication login "REMOTE-AUTH" radius local
Switch-1(config)# aaa authentication enable "REMOTE-AUTH" radius enable
Switch-1(config)# aaa authentication login default tacacs local
Switch-1(config)# aaa authentication enable default tacacs enable
Switch-1(config)# line telnet
Switch-1(config-telnet)# login authentication "REMOTE-AUTH"
Switch-1(config-telnet)# exit
Switch-1(config)# line ssh
Switch-1(config-ssh)# login authentication default
Switch-1(config)# exit
Switch-1(config)# line console
Switch-1(config-line)# login authentication "LOCAL-AUTH" Switch-1(config-
line)# exit
```

Which authentication method will be used if a user tries to log into the switch when accessing through SSH?

- A. RADIUS, then fails over to a local user account
- B. Local user account
- C. TACACS, then fails over to a local user account
- D. None

Correct Answer: C

QUESTION 64



Based on the exhibit, which configuration on interface Gi1/0/18 will allow the DHCP request to reach the DHCP server for the specified VLAN?

**A. Configuration A:**

```
console(config-if-Gi1/0/18)# switchport mode general console(config-if-Gi1/0/18)# switchport general pvid 20 console(config-if-Gi1/0/18)# switchport general allowed vlan add 20 console(config-if-Gi1/0/18)# switchport general allowed vlan remove 1
```

**B. Configuration B:**

```
console(config-if-Gi1/0/18)# switchport access vlan 10 console(config-if-Gi1/0/18)# service-policy in dhcp_250 console(config-if-Gi1/0/18)# switchport general allowed vlan add 20 console(config-if-Gi1/0/18)# switchport general allowed vlan remove 1
```

**C. Configuration C:**

```
console(config-if-Gi1/0/18)# switchport access vlan 10 console(config-if-Gi1/0/18)# ip dhcp snooping trust console(config-if-Gi1/0/18)# switchport general allowed vlan add 20 console(config-if-Gi1/0/18)# switchport general allowed vlan remove 1
```

**D. Configuration D:**

```
console(config-if-Gi1/0/18)# channel-group 100 mode active console(config-if-Gi1/0/18)# switchport access vlan 250 console(config-if-Gi1/0/18)# switchport general allowed vlan add 20 console(config-if-Gi1/0/18)# switchport general allowed vlan remove 1
```

**Correct Answer: A**

**QUESTION 65** How many untagged VLANs are allowed on a switchport mode trunk interface?

- A. 0
- B. 1
- C. 128
- D. 4096

**Correct Answer: B**

# SAMPLE QUESTIONS



*These questions are for demo purpose only. **Full version** is up to date and contains actual questions and answers.*

*Killexams.com is an online platform that offers a wide range of services related to certification exam preparation. The platform provides actual questions, exam dumps, and practice tests to help individuals prepare for various certification exams with confidence. Here are some key features and services offered by Killexams.com:*



**Actual Exam Questions:** *Killexams.com provides actual exam questions that are experienced in test centers. These questions are updated regularly to ensure they are up-to-date and relevant to the latest exam syllabus. By studying these actual questions, candidates can familiarize themselves with the content and format of the real exam.*

**Exam Dumps:** *Killexams.com offers exam dumps in PDF format. These dumps contain a comprehensive collection of questions and answers that cover the exam topics. By using these dumps, candidates can enhance their knowledge and improve their chances of success in the certification exam.*

**Practice Tests:** *Killexams.com provides practice tests through their desktop VCE exam simulator and online test engine. These practice tests simulate the real exam environment and help candidates assess their readiness for the actual exam. The practice tests cover a wide range of questions and enable candidates to identify their strengths and weaknesses.*

**Guaranteed Success:** *Killexams.com offers a success guarantee with their exam dumps. They claim that by using their materials, candidates will pass their exams on the first attempt or they will refund the purchase price. This guarantee provides assurance and confidence to individuals preparing for certification exams.*

**Updated Content:** *Killexams.com regularly updates its question bank and exam dumps to ensure that they are current and reflect the latest changes in the exam syllabus. This helps candidates stay up-to-date with the exam content and increases their chances of success.*

**Technical Support:** *Killexams.com provides free 24x7 technical support to assist candidates with any queries or issues they may encounter while using their services. Their certified experts are available to provide guidance and help candidates throughout their exam preparation journey.*

For More exams visit <https://killexams.com/vendors-exam-list>  
*Kill your exam at First Attempt....Guaranteed!*