



Up-to-date Questions and Answers from authentic resources to improve knowledge and pass the exam at very first attempt. ---- Guaranteed.



NS0-175 Dumps
NS0-175 Braindumps
NS0-175 Real Questions
NS0-175 Practice Test
NS0-175 Actual Questions



Network-Appliance

NS0-175

Cisco and NetApp FlexPod Design Specialist



Question: 168

What software program manages a NetApp storage controller with Data ONTAP 8.1 or later?

- A . FilerView
- B . OnCommand System Manager
- C . UCS Manager
- D . Web Browser

Answer: B

Question: 169

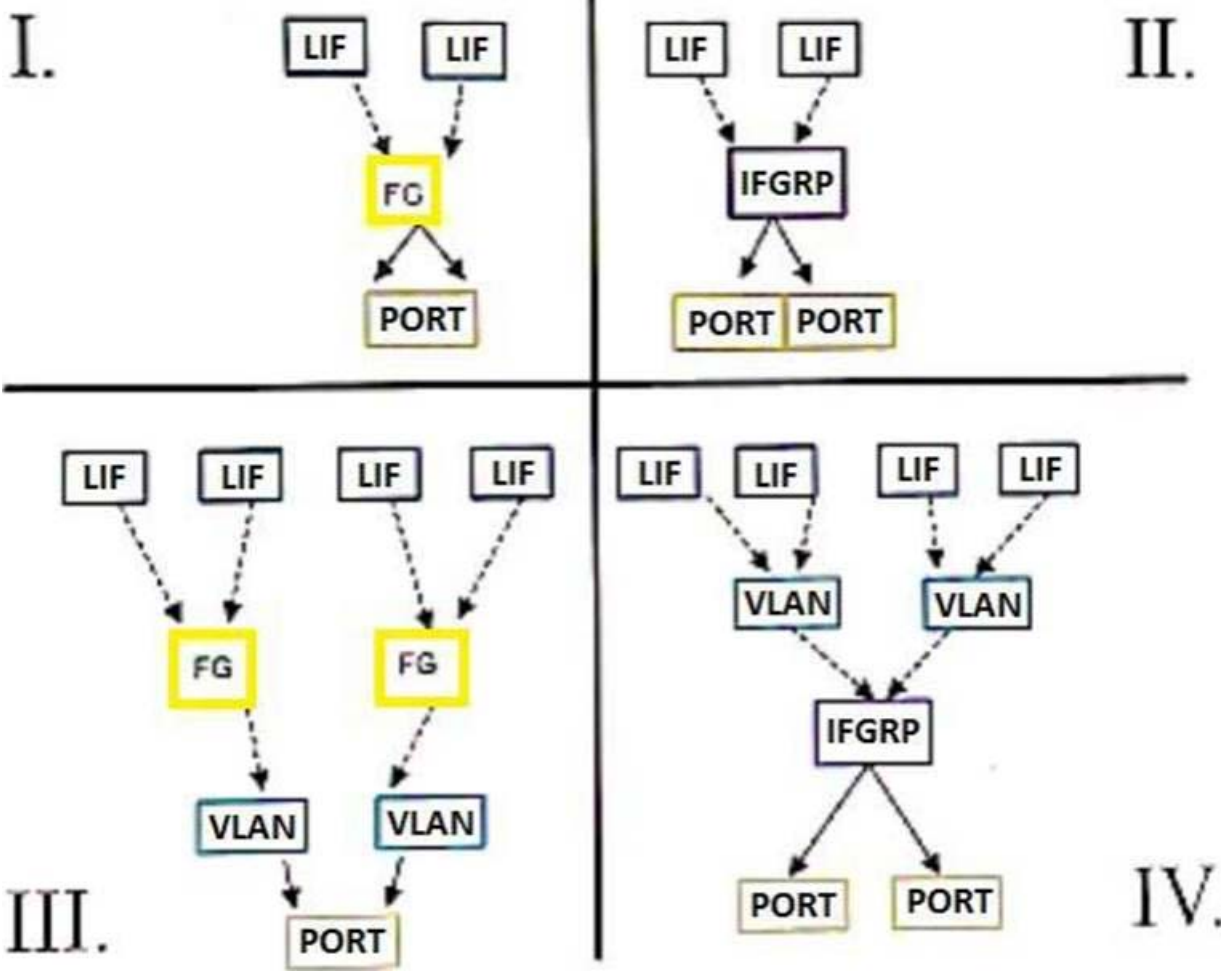
Which of the following commands are used for running automated diagnostic analysis routines?

- A . diag list
- B . diag dump
- C . netstat -d
- D . ifstat -a

Answer: B

Question: 170

View the Exhibit.



A customer wants to ensure that FlexPod Datacenter connections to the storage layer are highly available.

Which two configurations shown in the exhibit satisfy the customer's requirements? (Choose two.)

- A . IV
- B . II
- C . I
- D . III

Answer: D

Question: 171

The correct manner in which to open a Network Appliance support ticket is to ____ at the NOW site?

- A . Submit a RMA
- B . Submit a support ticket
- C . Submit a Case
- D . Submit a BURT

Answer: C

Question: 172

Network Appliance field alerts _____ and _____.

- A . are available at “www.netapp.com”
- B . may be received via email
- C . are available at “now.netapp.com”
- D . replace autosupport

Answer: BC

Question: 173

In which of the following sites can a complete list of Network Appliance support centers be found?

- A . now.netapp.com
- B . www.netapp.com
- C . ftp.netapp.com
- D . NetCache online help

Answer: A

Question: 174

Which two features are supported in both Nexus 7000 and Nexus 9000 switches? (Choose two.)

- A . Overlay Transport Virtualization (OTV)
- B . Virtual Device Contexts (VDC)
- C . Virtual Extensible LAN (VXLAN)
- D . Virtual Port Channels (vPC)

Answer: AC

Question: 175

Which of the following tools is designed to inventory existing VMware vSphere, Linux, and Microsoft Windows Server versions in a customer environment?

- A . Cisco UCS Sizer for Enterprise Applications
- B . Cisco UCS Central
- C . Microsoft Assessment and Planning (MAP) Toolkit
- D . Cisco Resource Comparison Tool

Answer: C

Question: 176

A customer wants to deploy a FlexPod solution that involves directly connecting the NetApp AFF storage using the FCoE protocol to the Cisco UCS Fabric Interconnects.

In this scenario, which Cisco UCS Fibre Channel mode would be used to accomplish this task?

- A . trunk mode

- B . end host mode
- C . switching mode
- D . access mode

Answer: C

Question: 177

All of the following are supported interface types EXCEPT _____.

- A . ATM
- B . Gigabit Ethernet, copper
- C . 10/100 Ethernet
- D . Gigabit Ethernet, fiber

Answer: A

Question: 178

To add a user to the appliance database, you must enter the _____ and the _____.

- A . user name
- B . access permissions
- C . password
- D . group

Answer: AB

Question: 179

Which two types of Cisco UCS servers are available to be used with a FlexPod Express deployment? (Choose two.)

- A . Cisco UCS C-Series
- B . Cisco UCS B-Series
- C . Cisco UCS E-Series
- D . Cisco UCS S-Series

Answer: AB

Question: 180

An ACI customer would like to enable devices from one Endpoint Group to talk to another Endpoint Group.

Which ACI construct is required to enable this capability?

- A . Endpoint
- B . Bridge Domain
- C . Application Profile
- D . Contract

Answer: D



SAMPLE QUESTIONS

*These questions are for demo purpose only. **Full version is up to date and contains actual questions and answers.***

Killexams.com is an online platform that offers a wide range of services related to certification exam preparation. The platform provides actual questions, exam dumps, and practice tests to help individuals prepare for various certification exams with confidence. Here are some key features and services offered by Killexams.com:

Actual Exam Questions: *Killexams.com provides actual exam questions that are experienced in test centers. These questions are updated regularly to ensure they are up-to-date and relevant to the latest exam syllabus. By studying these actual questions, candidates can familiarize themselves with the content and format of the real exam.*

Exam Dumps: *Killexams.com offers exam dumps in PDF format. These dumps contain a comprehensive collection of questions and answers that cover the exam topics. By using these dumps, candidates can enhance their knowledge and improve their chances of success in the certification exam.*

Practice Tests: *Killexams.com provides practice tests through their desktop VCE exam simulator and online test engine. These practice tests simulate the real exam environment and help candidates assess their readiness for the actual exam. The practice tests cover a wide range of questions and enable candidates to identify their strengths and weaknesses.*

Guaranteed Success: *Killexams.com offers a success guarantee with their exam dumps. They claim that by using their materials, candidates will pass their exams on the first attempt or they will refund the purchase price. This guarantee provides assurance and confidence to individuals preparing for certification exams.*

Updated Content: *Killexams.com regularly updates its question bank and exam dumps to ensure that they are current and reflect the latest changes in the exam syllabus. This helps candidates stay up-to-date with the exam content and increases their chances of success.*

Technical Support: *Killexams.com provides free 24x7 technical support to assist candidates with any queries or issues they may encounter while using their services. Their certified experts are available to provide guidance and help candidates throughout their exam preparation journey.*

For More exams visit <https://killexams.com/vendors-exam-list>
Kill your exam at First Attempt....Guaranteed!