



Up-to-date Questions and Answers from authentic resources to improve knowledge and pass the exam at very first attempt. ---- Guaranteed.



PB0-200 Dumps
PB0-200 Braindumps
PB0-200 Real Questions
PB0-200 Practice Test
PB0-200 Actual Questions



APC

PB0-200

APC NCPI Design



QUESTION: 106

Click the Exhibit button.

MISSING EXHIBIT

Which UPS topology is shown in the exhibit?

- A. standby
- B. line interactive
- C. standby online hybrid
- D. online double conversion

Answer: D

QUESTION: 107

What physical property of all electrical equipment dictates the amount of cooling it will require?

- A. size of printed circuit boards
- B. weight of electronic components
- C. location of components inside equipment
- D. inefficiency of power and digital components

Answer: D

QUESTION: 108

What is current?

- A. the flow of electrons through a conductor
- B. the potential difference between two points
- C. the capability of a conductor to store a charge
- D. the amount of voltage flowing through a conductor

Answer: A

QUESTION: 109

Click the Calculator button.

MISSING EXHIBIT

Approximately how much cooling capacity does a 5-ton air conditioner have?

- A. 12kW
- B. 17kW
- C. 20kW
- D. 60kW

Answer: B

QUESTION: 110
What is TVSS?

- A. Transient Voltage Static Switch
- B. Terminal Voltage Surge Suppression
- C. Transient Voltage Surge Suppression
- D. Transient Variable Surge Suppression

Answer: C

QUESTION: 111

If a rack-mount PDU is accidentally overloaded, which device activates and isolates the electric power to the outlets?

- A. TVSS
- B. transformer
- C. circuit breaker
- D. Automatic Transfer Switch

Answer: C

QUESTION: 112

Which type of air conditioning system generally has the lowest initial cost for the entire system?

- A. air cooled
- B. chilled water
- C. water cooled
- D. glycol cooled

Answer: A

QUESTION: 113

What is one advantage of using precision cooling rather than comfort cooling?

- A. No humidity control is required.
- B. Reheat is available to increase humidity.
- C. Temperature control is within +/- 0.5 degree Celsius (+/- 1 degree Fahrenheit).
- D. Temperature control is within +/- 3 degrees Celsius (+/- 5 degrees Fahrenheit).

Answer: C

QUESTION: 114

What is the correct formula to calculate Apparent Power (VA)?

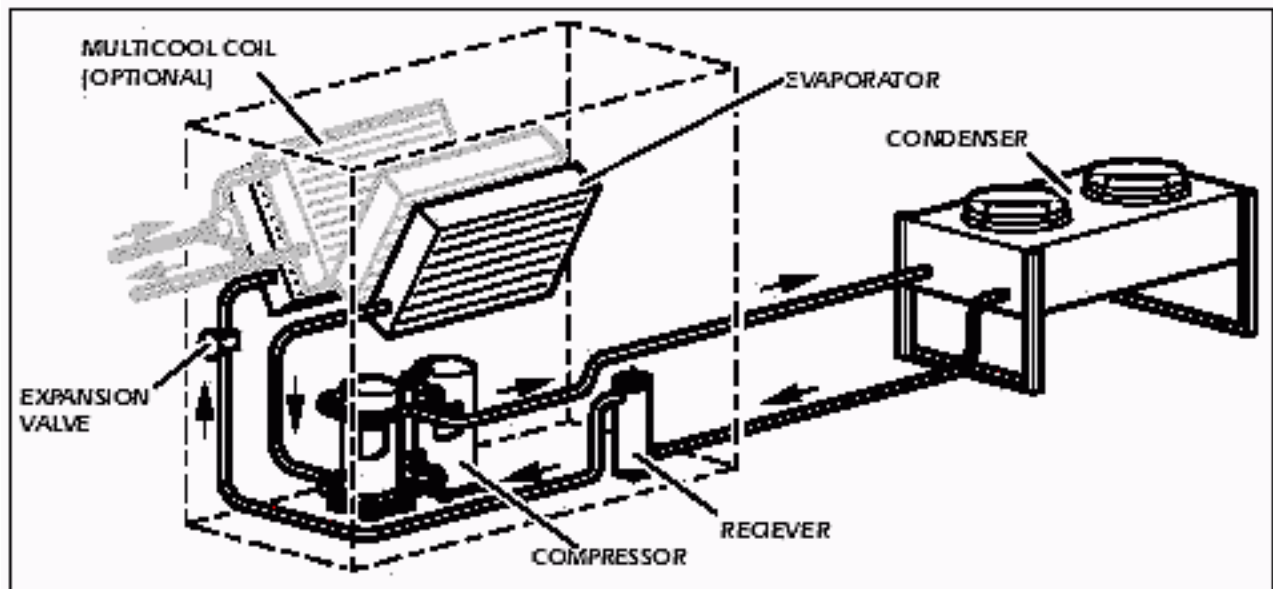
- A. Power (Apparent) = Voltage x Current
- B. Power (Apparent) = Current x Resistance
- C. Power (Apparent) = Voltage x Resistance
- D. Power (Apparent) = Voltage x Capacitance

Answer: A

QUESTION: 115

Click the Exhibit button.

What type of system is shown?



- A. air cooled
- B. water cooled
- C. glycol cooled
- D. remote condensing

Answer: A



SAMPLE QUESTIONS

*These questions are for demo purpose only. **Full version is up to date and contains actual questions and answers.***

Killexams.com is an online platform that offers a wide range of services related to certification exam preparation. The platform provides actual questions, exam dumps, and practice tests to help individuals prepare for various certification exams with confidence. Here are some key features and services offered by Killexams.com:

Actual Exam Questions: *Killexams.com provides actual exam questions that are experienced in test centers. These questions are updated regularly to ensure they are up-to-date and relevant to the latest exam syllabus. By studying these actual questions, candidates can familiarize themselves with the content and format of the real exam.*

Exam Dumps: *Killexams.com offers exam dumps in PDF format. These dumps contain a comprehensive collection of questions and answers that cover the exam topics. By using these dumps, candidates can enhance their knowledge and improve their chances of success in the certification exam.*

Practice Tests: *Killexams.com provides practice tests through their desktop VCE exam simulator and online test engine. These practice tests simulate the real exam environment and help candidates assess their readiness for the actual exam. The practice tests cover a wide range of questions and enable candidates to identify their strengths and weaknesses.*

Guaranteed Success: *Killexams.com offers a success guarantee with their exam dumps. They claim that by using their materials, candidates will pass their exams on the first attempt or they will refund the purchase price. This guarantee provides assurance and confidence to individuals preparing for certification exams.*

Updated Content: *Killexams.com regularly updates its question bank and exam dumps to ensure that they are current and reflect the latest changes in the exam syllabus. This helps candidates stay up-to-date with the exam content and increases their chances of success.*

Technical Support: *Killexams.com provides free 24x7 technical support to assist candidates with any queries or issues they may encounter while using their services. Their certified experts are available to provide guidance and help candidates throughout their exam preparation journey.*

For More exams visit <https://killexams.com/vendors-exam-list>
Kill your exam at First Attempt....Guaranteed!