



Up-to-date Practice Test with Latest Questions and Answers covering latest syllabus and topics of the exam. Makes you ready to face actual exam.



NS0-175 Practice Questions
NS0-175 Practice Test
NS0-175 Practice Exam
NS0-175 Exam Questions
NS0-175 Study Guide



killexams.com

NetApp

NS0-175

Cisco and NetApp FlexPod Design Specialist

ORDER FULL VERSION



<https://killexams.com/pass4sure/exam-detail/NS0-175>

Question: 168

What software program manages a NetApp storage controller with Data ONTAP 8.1 or later?

- A . FilerView
- B . OnCommand System Manager
- C . UCS Manager
- D . Web Browser

Answer: B

Question: 169

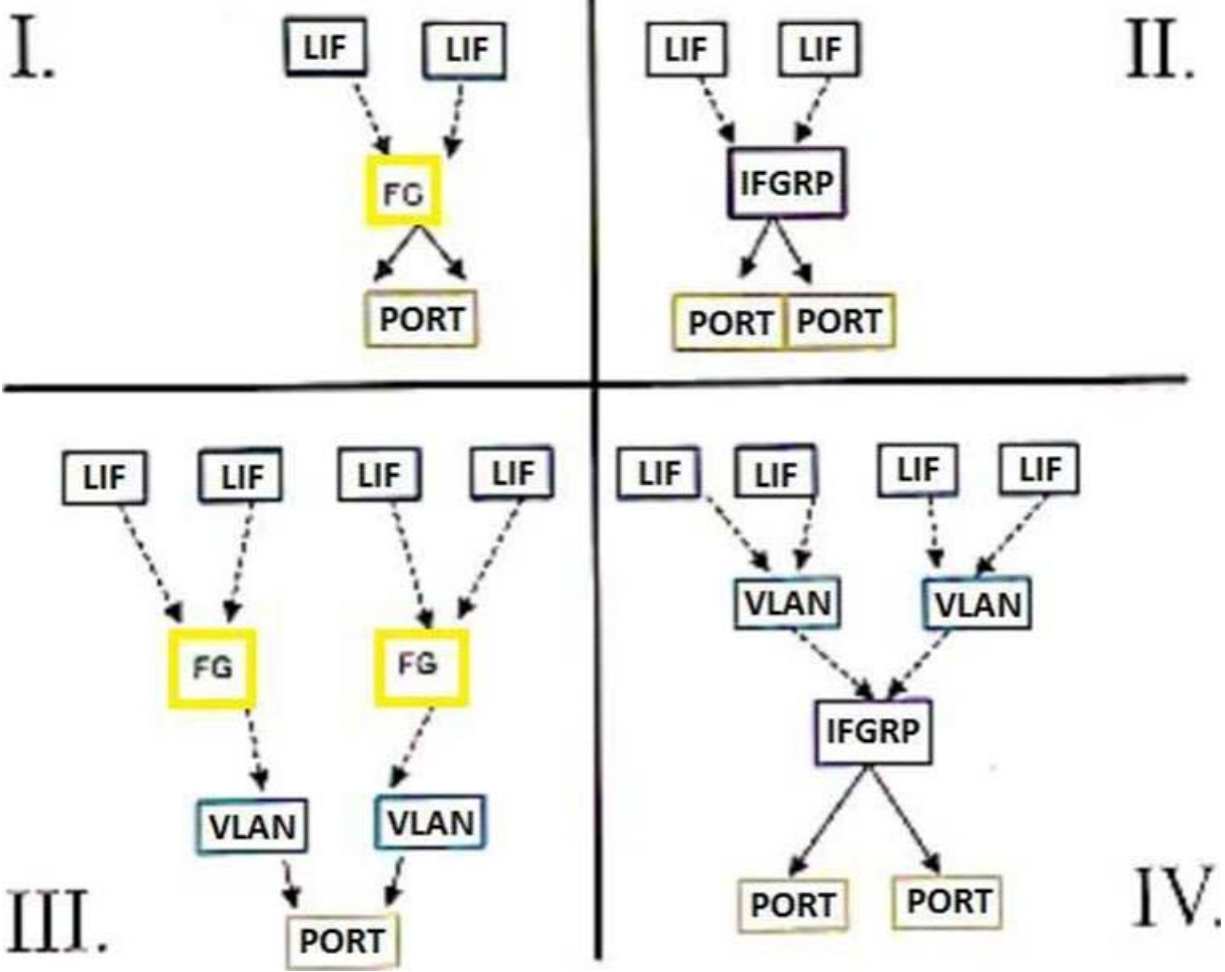
Which of the following commands are used for running automated diagnostic analysis routines?

- A . diag list
- B . diag dump
- C . netstat -d
- D . ifstat -a

Answer: B

Question: 170

View the Exhibit.



A customer wants to ensure that FlexPod Datacenter connections to the storage layer are highly available.

Which two configurations shown in the exhibit satisfy the customer's requirements? (Choose two.)

- A . IV
- B . II
- C . I
- D . III

Answer: D

Question: 171

The correct manner in which to open a Network Appliance support ticket is to ____ at the NOW site?

- A . Submit a RMA
- B . Submit a support ticket
- C . Submit a Case
- D . Submit a BURT

Answer: C

Question: 172

Network Appliance field alerts _____ and _____.

- A . are available at “www.netapp.com”
- B . may be received via email
- C . are available at “now.netapp.com”
- D . replace autosupport

Answer: BC

Question: 173

In which of the following sites can a complete list of Network Appliance support centers be found?

- A . now.netapp.com
- B . www.netapp.com
- C . ftp.netapp.com
- D . NetCache online help

Answer: A

Question: 174

Which two features are supported in both Nexus 7000 and Nexus 9000 switches? (Choose two.)

- A . Overlay Transport Virtualization (OTV)
- B . Virtual Device Contexts (VDC)
- C . Virtual Extensible LAN (VXLAN)
- D . Virtual Port Channels (vPC)

Answer: AC

Question: 175

Which of the following tools is designed to inventory existing VMware vSphere, Linux, and Microsoft Windows Server versions in a customer environment?

- A . Cisco UCS Sizer for Enterprise Applications
- B . Cisco UCS Central
- C . Microsoft Assessment and Planning (MAP) Toolkit
- D . Cisco Resource Comparison Tool

Answer: C

Question: 176

A customer wants to deploy a FlexPod solution that involves directly connecting the NetApp AFF storage using the FCoE protocol to the Cisco UCS Fabric Interconnects.

In this scenario, which Cisco UCS Fibre Channel mode would be used to accomplish this task?

- A . trunk mode

- B . end host mode
- C . switching mode
- D . access mode

Answer: C

Question: 177

All of the following are supported interface types EXCEPT _____.

- A . ATM
- B . Gigabit Ethernet, copper
- C . 10/100 Ethernet
- D . Gigabit Ethernet, fiber

Answer: A

Question: 178

To add a user to the appliance database, you must enter the _____ and the _____.

- A . user name
- B . access permissions
- C . password
- D . group

Answer: AB

Question: 179

Which two types of Cisco UCS servers are available to be used with a FlexPod Express deployment? (Choose two.)

- A . Cisco UCS C-Series
- B . Cisco UCS B-Series
- C . Cisco UCS E-Series
- D . Cisco UCS S-Series

Answer: AB

Question: 180

An ACI customer would like to enable devices from one Endpoint Group to talk to another Endpoint Group.

Which ACI construct is required to enable this capability?

- A . Endpoint
- B . Bridge Domain
- C . Application Profile
- D . Contract

Answer: D

Killexams.com is a leading online platform specializing in high-quality certification exam preparation. Offering a robust suite of tools, including Exam Questions, practice tests, and advanced test engines, Killexams.com empowers candidates to excel in their certification exams. Discover the key features that make Killexams.com the go-to choice for exam success.



Practice Exam Questions Based on Current Exam Objectives

Killexams.com provides practice exam questions aligned with the latest official exam objectives and latest syllabus. Our content is reviewed and updated regularly to reflect recent changes announced by certification vendors. By studying these practice questions, candidates will cover the structure, difficulty level, and topics of the actual exam, helping them prepare more effectively and efficiently.

Comprehensive Practice Exams (PDF Format)

Killexams.com offers multiple-choice questions (MCQs) in easy-to-read PDF format, covering all major domains of the exam. Each PDF contains a structured collection of practice questions and verified answers designed to support focused study. These MCQs help candidates reinforce key concepts, identify knowledge gaps, and improve exam readiness through consistent practice.

Realistic Practice Tests (Online Test Engine & Desktop Test Engine)

To support hands-on preparation, Killexams.com provides practice tests through both an Online Test Engine and a Desktop Test Engine. These tools are designed to simulate a real exam environment, allowing candidates to practice under exam-like conditions, with latest syllabus and topics of the exam. Performance tracking, test history, and result analysis help users evaluate their progress and focus on areas that need improvement.

Risk-Free Purchase Policy

Killexams.com follows a transparent and customer-friendly purchase policy. If users are not satisfied with the study materials, they may request assistance or a refund in accordance with our published terms and conditions. This policy reflects our commitment to customer satisfaction, fairness, and confidence in our preparation resources.

Regularly Updated Content

Our practice question bank is reviewed and updated on an ongoing basis to stay aligned with the latest exam outlines and vendor updates. This ensures candidates are studying up-to-date, relevant material, and preparing with content that reflects current exam expectations, helping them stay confident and well-prepared.